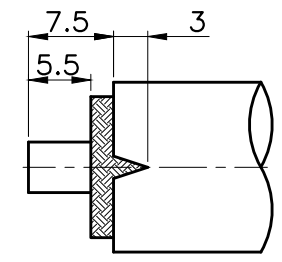
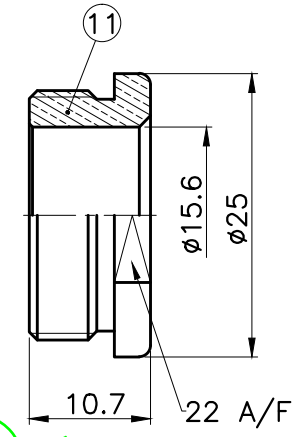
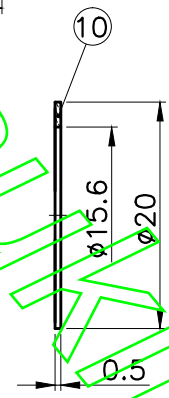
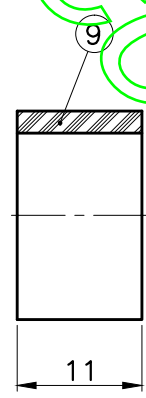
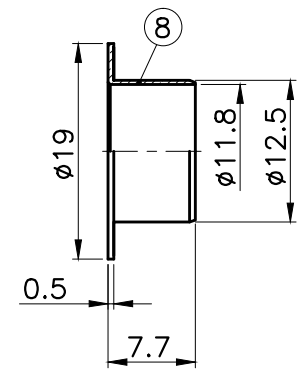
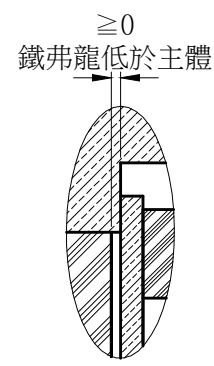
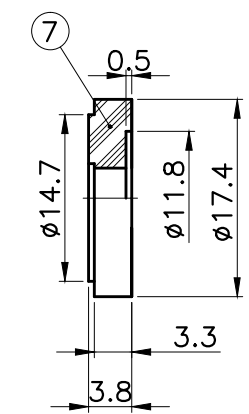
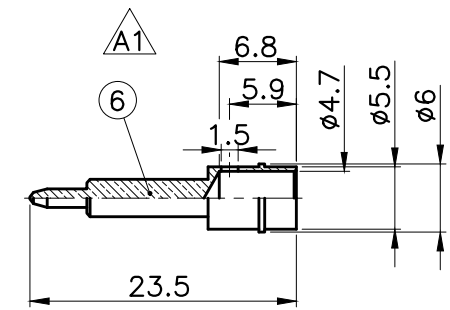
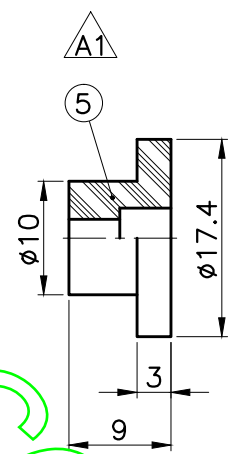
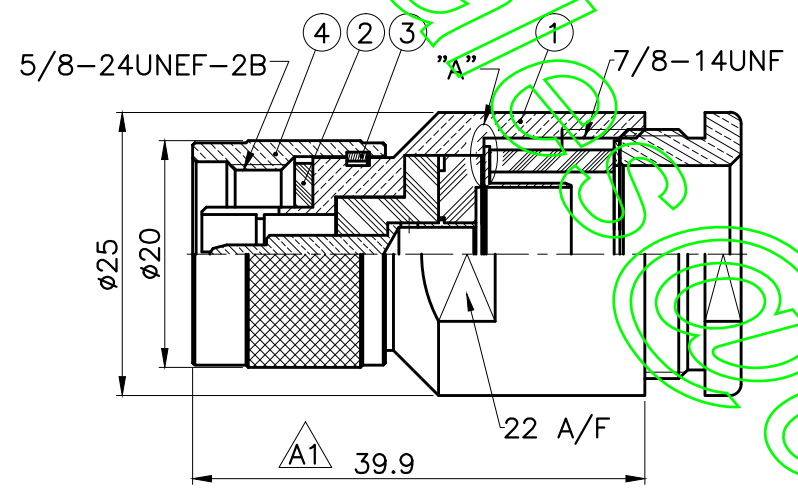


ISS	REVISIONS	DESCRIPTION	DATE

RoHS COMPLIANT



RECOMMENDED CABLE STRIPPING DIM'S

A VIEW



TITLE: N MALE CLAMP  
(FOR LMR600)

PART NO: NPSC600

DR NO:

030

APRD:  
CHKD:  
DR:

DATE: 09/02/13"

SHEET: .

UNLESS OTHERWISE SPECIFIED TOLERANCES  
0.5-6 = ±0.2  
>6-30 = ±0.4  
>30-120 = ±0.6  
>120-315 = ±1  
>315-1000 = ±1.6  
ANGLES = ±5°

UNIT: mm

SCALE: 1.5/1

11	NUT	BRASS	NICKEL
10	WASHER	BRASS	NICKEL
9	GASKET	SILICONE	WHITE
8	TOP HAT	BRASS	NICKEL
7	INSULATOR	TEFLON	WHITE
6	CONTACT PIN	BRASS	GOLD
5	INSULATOR	TEFLON	WHITE
4	SHELL	BRASS	NICKEL
3	RING	BRASS	NONE
2	GASKET	SILICONE	WHITE
1	BODY	BRASS	NICKEL
NO.	DESCRIPTION	MATERIAL	FINISH